

For Immediate Release

Company name Digital Garage, Inc.
 Representative Kaoru Hayashi
 Representative Director,
 President Executive Officer and Group CEO
 (Code: 4819 Prime Section of TSE)
 Contact Hiroyuki Nozaki
 Corporate Officer, Deputy Head of Corporate Div.
 (Tel: +81-3-6367-1111)
 (URL: <https://www.garage.co.jp/en/ir/>)

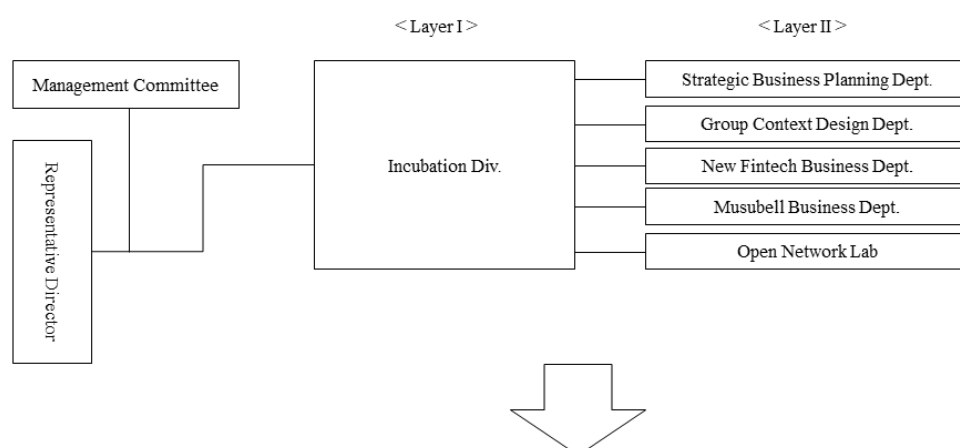
Notice of Organizational and Personnel Changes

Digital Garage, Inc. (the Company) hereby announces that the following organizational and personnel changes, effective as of October 1, 2023, have been resolved at the Board of Directors Meeting held on September 29, 2023.

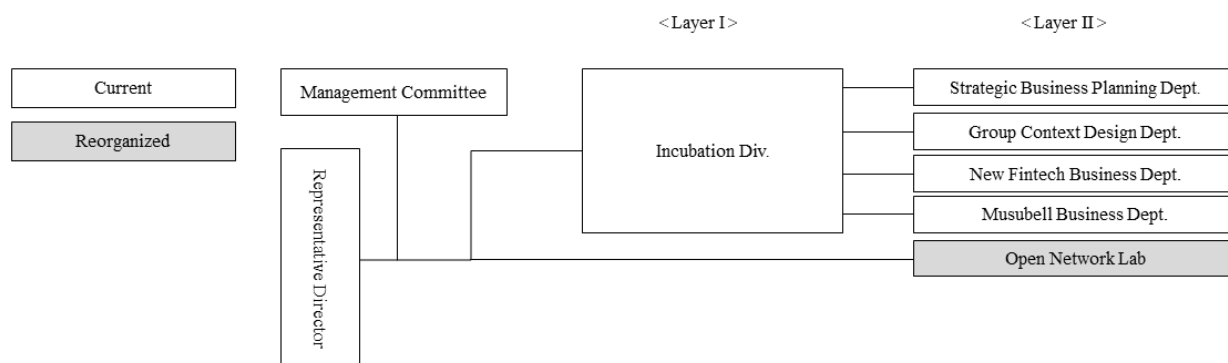
1. Organizational Change

While technology is evolving at an overwhelmingly rapid pace, the Company has decided that Open Network Lab will be reorganized into an independent department under the direct supervision of the Representative Director, aiming to expedite decision-making within the Company and accelerate the Group's business growth through agile collaboration with startups.

<Current Organizational Chart>



<Organizational Chart as of October 1, 2023>



2. Personnel Changes

(1) Corporate Officers

Name	New Managerial Position	Current Managerial Position
Shunsuke Kitada	Corporate Officer Co-Company President of Marketing Technology Company Head of Business Strategy Office DG Financial Technology, Inc. Engagement Gateway, Inc. EDOCODE Inc.	Corporate Officer Company President of Marketing Technology Company Head of Commerce Business Division Head of Business Strategy Office DG Financial Technology, Inc. Engagement Gateway, Inc. EDOCODE Inc.
Hidetoshi Tokumaru	Corporate Officer Co-Company President of Marketing Technology Company Head of Solution Division BI. Garage, Inc. DG Communication Co., Ltd. NaviPlus Co., Ltd.	Corporate Officer Marketing Technology Company, Head of Solution Division BI. Garage, Inc. DG Communication Co., Ltd. NaviPlus Co., Ltd.
Katsuaki Usami	Corporate Officer Co-Head of Open Network Lab Head of Smart City Planning Office Group CEO Div., President Office, Head of DG25 Planning Office Digital Architecture Lab D2 Garage, Inc.	Corporate Officer Group CEO Div., Head of President Office Head of DG25 Planning Office Digital Architecture Lab DG Daiwa Ventures Inc. D2 Garage, Inc.

(2) Employees

Name	New Managerial Position	Current Managerial Position
Nobuyuki Matsuda	Group CEO Div., Head of President Office DG25 Planning Office DG Incubation, Inc. D2 Garage, Inc.	Incubation Div., Co-Head of Open Network Lab Head of Smart City Planning Office Group CEO Div., President Office, DG25 Planning Office DG Incubation, Inc. D2 Garage, Inc.
Masayuki Suzuki	Marketing Technology Company, Head of Commerce Business Division Head of Direct Marketing Dept. NaviPlus Co., Ltd.	Marketing Technology Company, Deputy Head of Commerce Business Division Head of Direct Marketing Dept. NaviPlus Co., Ltd.

3. Effective Date

October 1, 2023