

For Immediate Release

Company name Digital Garage, Inc.
 Representative Kaoru Hayashi
 Representative Director,
 President Executive Officer and Group CEO
 (Code: 4819 Prime Section of TSE)
 Contact Hiroyuki Nozaki
 Corporate Officer, Deputy Head of Corporate Div.
 (Tel: +81-3-6367-1111)
 (URL: <https://www.garage.co.jp/en/ir/>)

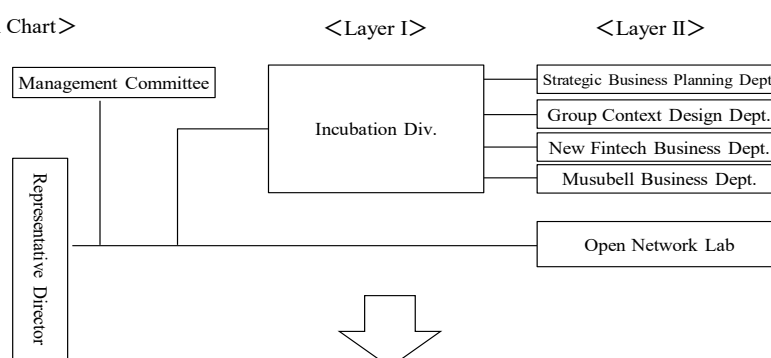
Notice of Organizational and Personnel Changes

Digital Garage, Inc. (the Company) hereby announces that the following organizational and personnel changes, effective as of November 1, 2023, have been resolved at the Board of Directors Meeting held on October 27, 2023.

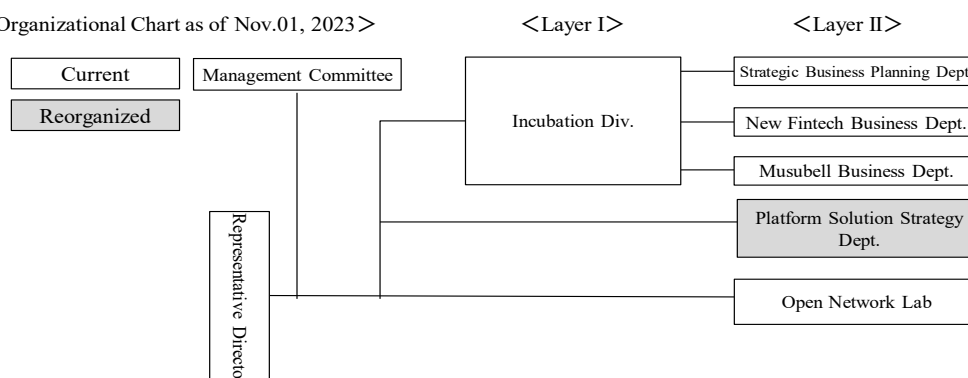
1. Organizational Change

The Company has decided to establish Platform Solution Strategy Department as an independent organization under the direct supervision of the Representative Director, aiming to provide added value to meet diversified clients' needs for Platform Solution Segment based on the market-oriented perspectives and accelerate the Group's business growth. Accordingly, Incubation Division, Group Context Design Department will be abolished and its function will be transferred to Platform Solution Strategy Department.

<Current Organizational Chart>



<Organizational Chart as of Nov.01, 2023>



2. Personnel Changes

(1) Corporate Officer

Name	New Managerial Position	Current Managerial Position
Shunsuke Kitada	Corporate Officer Co-Company President of Marketing Technology Company Head of Business Strategy Office Co-Head of Platform Solution Strategy Department DG Financial Technology, Inc. Engagement Gateway, Inc. EDOCODE Inc.	Corporate Officer Co-Company President of Marketing Technology Company Head of Business Strategy Office DG Financial Technology, Inc. Engagement Gateway, Inc. EDOCODE Inc.

(2) Employee

Name	New Managerial Position	Current Managerial Position
Toru Nogiwa	Co-Head of Platform Solution Strategy Department DG Financial Technology, Inc., Sales Division, Deputy Chief of Headquarters	DG Financial Technology, Inc., Sales Division, Deputy Chief of Headquarters

3. Effective Date

November 1, 2023